



UNIVERSITI KUALA LUMPUR
Malaysia France Institute

FINAL EXAMINATION
JANUARY 2010 SESSION

SUBJECT CODE : FGD 20203
SUBJECT TITLE : MACHINE TOOLS VERIFICATION
LEVEL : DIPLOMA
TIME / DURATION : 3.00pm – 5.00pm
(2 HOURS)
DATE : 30 APRIL 2010

INSTRUCTIONS TO CANDIDATES

1. Please read the instructions given in the question paper **CAREFULLY**.
 2. This question paper is printed on both sides of the paper.
 3. Please write your answers on the answer booklet provided.
 4. Answer should be written in blue or black ink except for sketching, graphic and illustration.
 5. This questions paper consists of **SIX (6)** questions. Answer **ALL** questions.
 6. Answer all questions in English.
-

THERE ARE 4 PAGES OF QUESTIONS, EXCLUDING THIS PAGE.

Section A : (60 marks)

INSTRUCTION: Answer ALL questions.
Please use the answer booklet provided.

Question 1

Based on BS 4656 Part 3 (Milling Machine), how is the following Machine Tools

Verification should perform ? List down the instruments used and tolerances given.

G1:

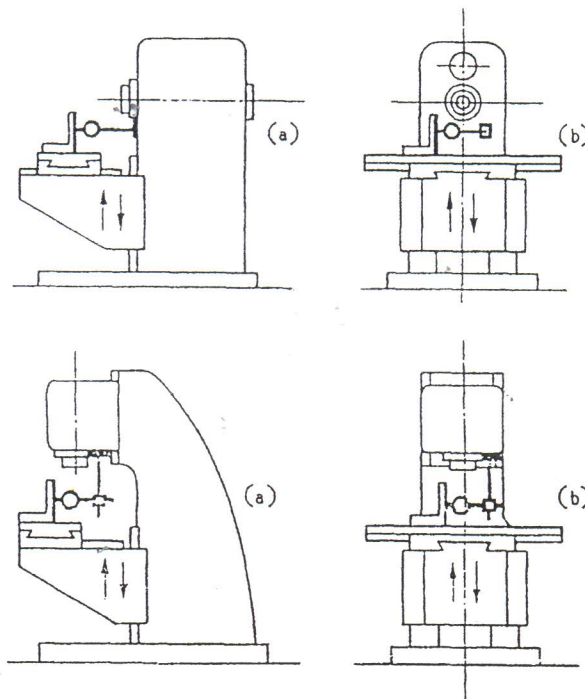


Figure 1

(10 marks)

G8:

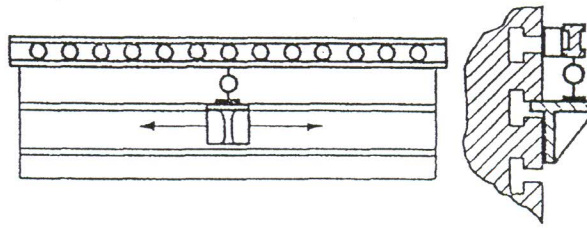


Figure 2

(10 marks)

G7:

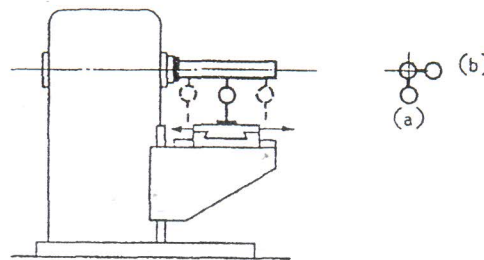


Figure 3

(10 marks)

G9:

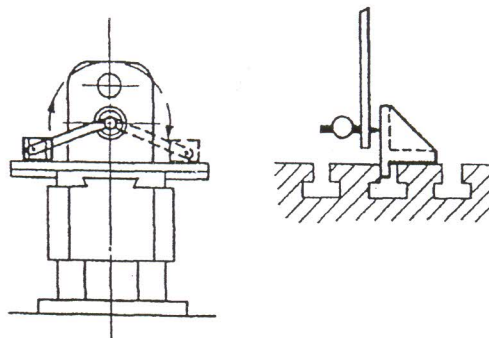


Figure 4

(10 marks)

Question 2

Based on BS 4650 Part 1 (Lathe Machine) how is the following Machine Tools Verification should perform. List down the instruments used and tolerances given.

G3 :

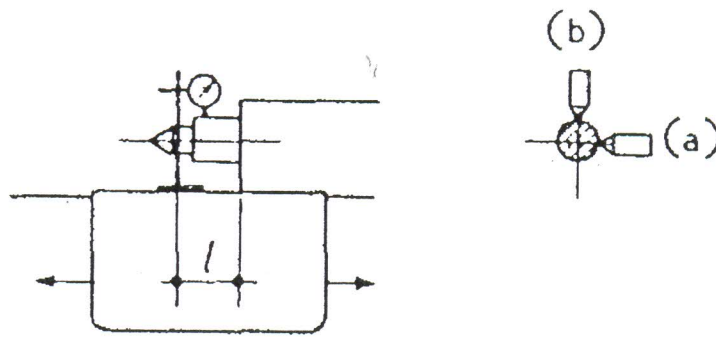


Figure 5

(10 marks)

G7 :

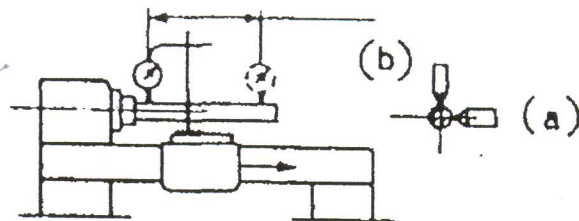


Figure 6

(10 marks)

Section B : (40 marks)

Question 3

List down 5 types of Gears and Keys that are normally used.

(10 marks)

Question 4

State 5 important factors of performing Geometrical Test on Machine Tools in the mechanical workshop.

(10 marks)

Question 5

Draw a diagram of a screw V- thread and name all the parts.

(10 marks)

Question 6

Draw a Spur Gear and names 10 importance parts.

(10 marks)

END OF QUESTION