



**UNIVERSITI KUALA LUMPUR**

Malaysia France Institute

---

**FINAL EXAMINATION**

**JULY 2010 SESSION**

---

**SUBJECT CODE** : FGD 20203  
**SUBJECT TITLE** : MACHINE TOOLS VERIFICATION  
**LEVEL** : DIPLOMA  
**TIME / DURATION** : 9.00am – 11.00am  
( 2 HOURS )  
**DATE** : 19 NOVEMBER 2010

---

**INSTRUCTIONS TO CANDIDATES**

---

1. Please read the instructions given in the question paper CAREFULLY.
2. This question paper is printed on both sides of the paper.
3. Please write your answers on the answer booklet provided.
4. Answer should be written in blue or black ink except for sketching, graphic and illustration.
5. This question paper consists of TWO (2) sections. Section A and B. Answer all questions in Section A. For Section B, answer four (4) question only.
6. Answer all questions in English.

---

THERE ARE 4 PRINTED PAGES OF QUESTIONS EXCLUDING THIS PAGE.

---

Section A : (60 marks)

INSTRUCTION: Answer ALL questions.

Please use the answer booklet provided.

Question 1

Based on BS 4656 Part 3 (Milling Machine), how is the following Machine Tools Verification should perform? List down the instruments used and tolerances given as refer to figure below.

G1:

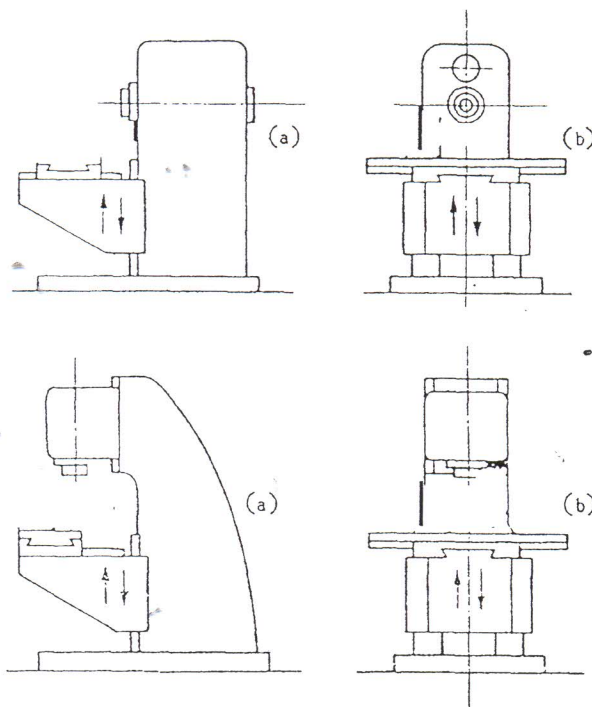


Figure 1

(10 marks)

G7:

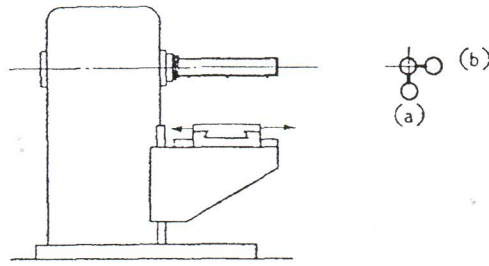


Figure 2

(10 marks)

G9:

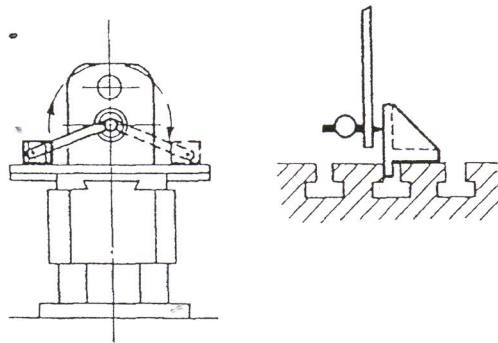


Figure 3

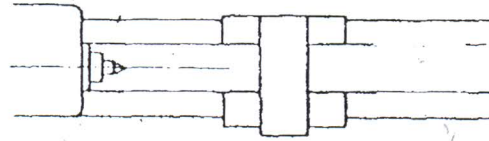
(10 marks)

Question 2

Based on BS 4650 Part 1 (Lathe Machine) how is the following Machine Tools Verification should perform. List down the instruments used and tolerances given as refer to figure below.

(a)

G1:



(b)

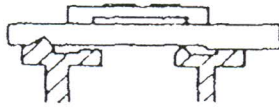


Figure 4

(20 marks)

G7:

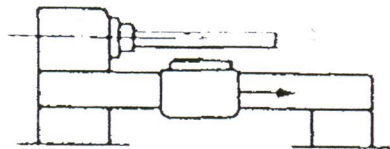


Figure 6

(10 marks)

**Section B: (40 marks)**

**INSTRUCTION: Answer FOUR (4) questions ONLY.**

**Please use the answer booklet provided.**

**Question 3**

What are the differences between Unified Thread and Metric Thread in mechanical components ?

(10 marks)

**Question 4**

Draw a Spur Gear and name at least 10 importance parts.

(10 marks)

**Question 5**

Give 5 applications of test methods in lathe machine and milling machine use today?

(10 marks)

**Question 6**

State 5 important factors of performing Geometrical Test on Machine Tools in the mechanical workshop.

(10 marks)

**Question 7**

Draw a diagram of a screw V- thread and name all the parts.

(10 marks)

**END OF QUESTION**